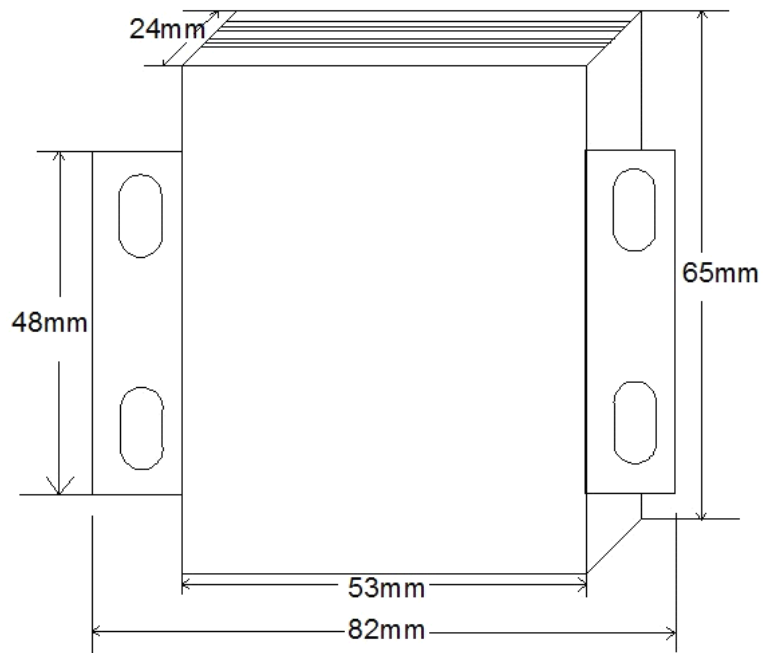
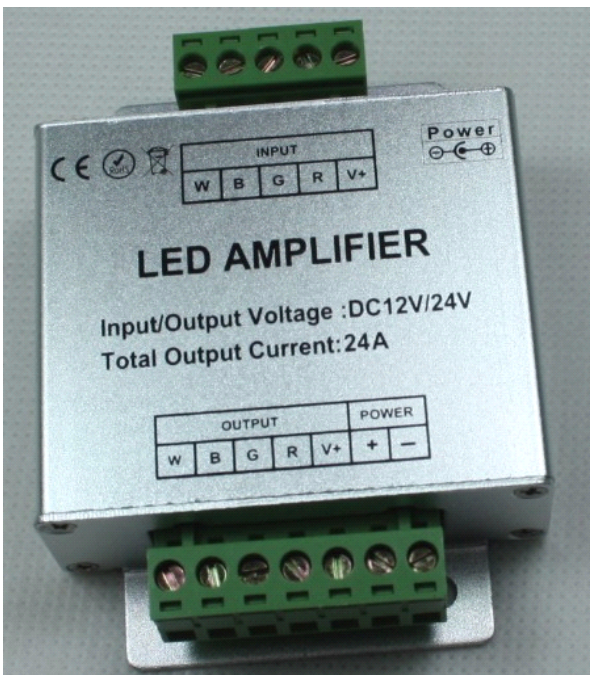


# Starwire Lighting Co., Limited

## Product Specification

**Item name: RGBW LED Amplifier**

**Item NO: SW-RA-E**



### I. Product Description:

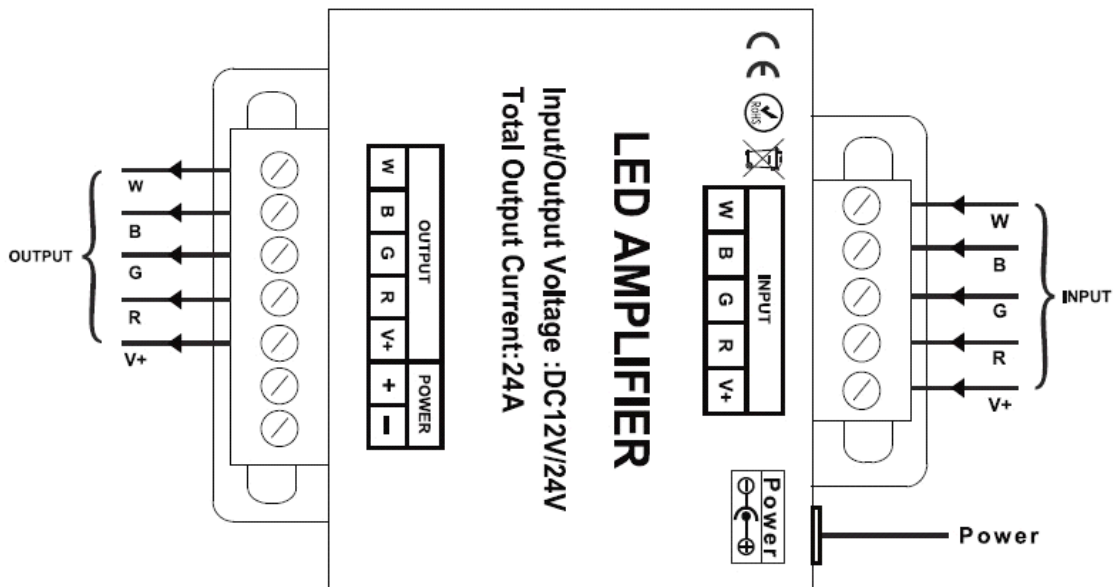
This system is a high-performance RGBW LED Amplifier. It is suitable for all conventional PWM control type LED controller both from our company and the market. Adopting the imported high current MOS output ensures the amplifier's high output power. Add one more amplifier then can connect the extra same LED products. Technically, we can connect the countless amplifiers. It can meet the application for high power, big range and synchronous change when it is connected with the main controller in series.

### Technical Parameters:

- Control mode: synchro control with connecting the master controller in series
- Working Voltage: DC12V - 24V

- Max Load Control Current: 6A/circuit
- Standby Power Consumption: 0.5W
- Output/Input connecting mode: Common anode
- Dimension: 82mm×65mm×24mm

**II. Connection:**



**III. Attention:**

1. Please check whether the input voltage of the constant voltage power supply is in accordance with the controller, and please check the connection of both the cathode and anode, otherwise the controller will be broken.
2. Please do not connect wires with power on. Please switch on only when it is in right connection and no short circuit.

**Caution:**

1. Thanks for using RGBW LED Amplifier, please read the instruction carefully before using. It states that you have read this instruction and accepted the caution when you start to use.